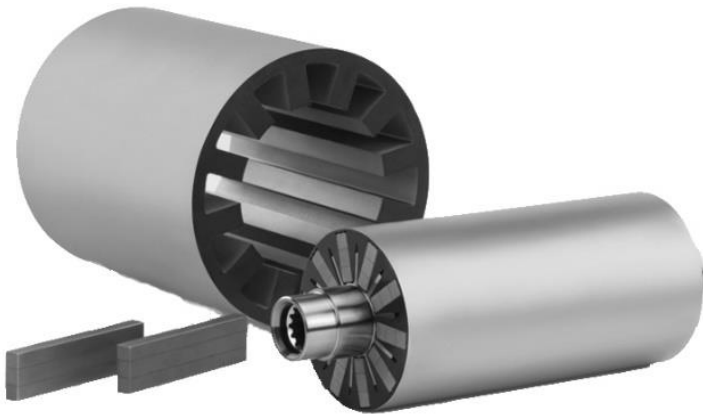


New acceleration record thanks to cobalt-iron materials from VAC

Better and better!

HANAU - For more than a decade, VACUUMSCHMELZE (VAC) has been supporting teams from Formula Student Electric with VACSTACK® sheet metal packages for electric motors. This year, the third world record was already achieved with these systems - in an incredible 0.956 seconds from 0 to 100 Km/h.



VACODUR® 49, a cobalt-iron material from VAC, enables a torque increase of typically up to 30 % compared to conventional electrical steel sheets. Thanks to the patented VACSTACK technology, the tightest tolerances and a sheet thickness of only 50 µm can be realized. Although the packing density is 98%, the insulation between the tape layers is ensured in order to achieve the lowest eddy current losses.

"We congratulate the entire AMZ team and look forward to further cooperation for the next season," says Ute Fecher-Petzold, Product Manager and Application Specialist at VAC.

VACUUMSCHMELZE (VAC) is among the world's most highly innovative developers of magnetic materials, inductive components and other related products. With a global network of Sales and Field Application Engineers, VAC designs and manufactures tailor-made solutions for a wide variety of industries, comprising renewable energies, automotive, industrial automation installation technology, and aviation.