

K-no.: 26078

## 50A Current Sensor for 5V Supply Voltage

For electronic current measurement:  
DC, AC, pulsed, mixed ..., with a galvanic  
isolation between primary circuit  
(high power) and secondary circuit  
(electronic circuit)



Date: 31.01.2022

Customer: Standard type

Customers Part no.:

Page 1 of 4

### Description

- Closed loop (compensation) Current Sensor with magnetic field probe
- Printed circuit board mounting
- Casing and materials UL-listed

### Characteristics

- Excellent accuracy
- Very low offset current
- Very low temperature dependency and offset current drift
- Very low hysteresis of offset current
- Short response time
- Wide frequency bandwidth
- Compact design
- Reduced offset ripple

### Applications

Mainly used for stationary operation in industrial applications:

- AC variable speed drives and servo motor drives
- Static converters for DC motor drives
- Battery supplied applications
- Switched Mode Power Supplies (SMPS)
- Power Supplies for welding applications
- Uninterruptible Power Supplies (UPS)

## Electrical data – Ratings

$I_{PN}$	Primary nominal rms current	50	A
$V_{out}$	Output voltage @ $I_P$	$V_{Ref} \pm (0.625 * I_P / I_{PN})$	V
$V_{out}$	Output voltage @ $I_P=0, T_A=25^\circ C$	$V_{Ref} \pm 0.000725$	V
$V_{Ref}$	External Reference voltage range	0...4	V
	Internal Reference voltage	$2.5 \pm 0.005$	V
$K_N$	Turns ratio	1...4 : 1400	

## Accuracy – Dynamic performance data

		min.	typ.	max.	Unit
$I_{P,max}$	Max. measuring range	±150			
X	Accuracy @ $I_{PN}, T_A=25^\circ C$			0.7	%
$\epsilon_L$	Linearity			0.1	%
$V_{out} - V_{Ref}$	Offset voltage @ $I_P=0, T_A=25^\circ C$			±0.725	mV
$\Delta V_o / V_{Ref} / \Delta T$	Temperature drift of $V_{out}$ @ $I_P=0, V_{Ref}=2.5V, T_A=-40...85^\circ C$	0.7		10	ppm/°C
$t_r$	Response time @ 90% von $I_{PN}$		300		ns
$\Delta t (I_{P,max})$	Delay time at $di/dt = 100 A/\mu s$		200		ns
f	Frequency bandwidth	DC...200			kHz

## General data

		min.	typ.	max.	Unit
$T_A$	Ambient operating temperature	-40		+85	°C
$T_S$	Ambient storage temperature (acc. to M3101)	-40		+105	°C
m	Mass		12		g
$V_C$	Supply voltage	4.75	5	5.25	V
$I_C$	Current consumption		15		mA

Constructed and manufactured and tested in accordance with EN 61800-5-1 (Pin 1 – 4 to Pin 5 – 12)  
Reinforced insulation, Insulation material group 1, Pollution degree 2

$S_{clear}$	Clearance (component without solder pad)	9.6			mm
$S_{creep}$	Creepage (component without solder pad)	10.6			mm
$V_{sys}$	System voltage overvoltage category 3			600	$V_{RMS}$
$V_{work}$	Working voltage			1060	$V_{RMS}$
$U_{PD}$	Rated discharge voltage			1320	$V_{PEAK}$

Note: "According UL 508: Max. potential difference = 600 V<sub>A</sub>

Date	Name	Issue	Amendment
31.01.2022	NSch.	83	Applicable documents changed on sheet 3. „The color of the plastic material... added. Minor change
09.04.2021	NSch.	83	Typo. $I_P = 6$ Arms instead of $I_P = 8$ Arms at $V_{out} = 2.5V + 0.300 V$ . Minor change

Hrsg.: R&D-PD NPI D editor	Bearb.: DJ designer	MC-PM: Ga. check	freig.: SB released
----------------------------	---------------------	------------------	---------------------

K-no.: 26078

## 50A Current Sensor for 5V Supply Voltage

For electronic current measurement:  
DC, AC, pulsed, mixed ..., with a galvanic  
isolation between primary circuit  
(high power) and secondary circuit  
(electronic circuit)



Date: 31.01.2022

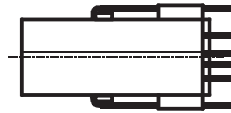
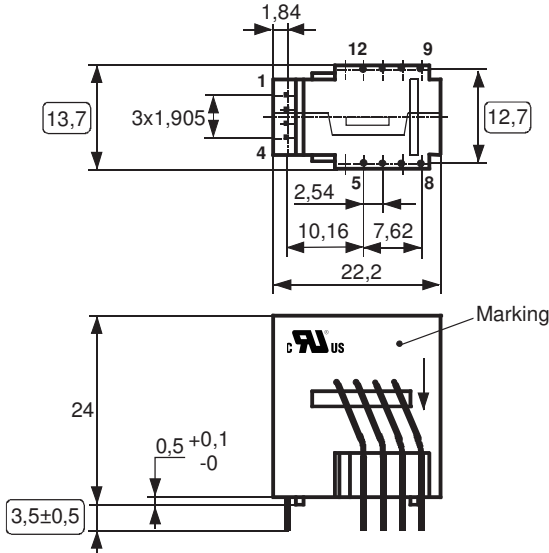
Customer: Standard type

Customers Part no.:

Page 2 of 4

### Mechanical outline (mm):

General tolerances DIN ISO 2768-c



Connections:

1...4: 0.46\*0.46 mm  
5..12: Ø 1 mm

Marking:

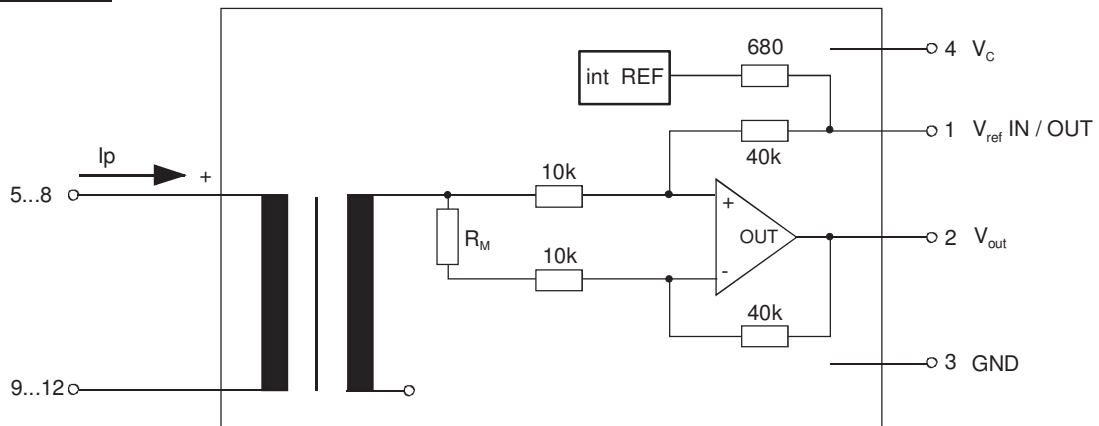
**VAC** UL-sign  
4646-X764-83  
F DC

○ test dimension

Tolerances grid distance ±0,25mm

DC= Date Code  
F = Factory

### Schematic diagram



### Possibilities of wiring (@ $T_A = 85^\circ C$ )

primary windings	primary current RMS	primary current maximal	output voltage RMS	turns ratio	primary resistance	wiring
$N_p$	$I_p$ [A]	$\hat{I}_{p,max}$ [A]	$V_{out}(I_p)$ [V]	$K_N$	$R_p$ [mΩ]	
1	50	±150	2.5±0.625	1:1400	0.25	
2	12	±75	2.5±0.300	2:1400	1.0	
4	6	±37.5	2.5±0.300	4:1400	4	

Hrsg.: R&D-PD NPI D  
editor

Bearb.: DJ  
designer

MC-PM: Ga.  
check

freig.: SB  
released

**K-no.: 26078**
**50A Current Sensor for 5V Supply Voltage**

For electronic current measurement:  
DC, AC, pulsed, mixed ..., with a galvanic  
isolation between primary circuit  
(high power) and secondary circuit  
(electronic circuit)


**Date: 31.01.2022**
**Customer: Standard type**
**Customers Part no.:**
**Page 3 of 4**
**Electrical Data**

		min.	typ.	max.	Unit
$V_{Ctot}$	Maximum supply voltage (without function)			7	V
$I_C$	Supply Current with primary current		15mA + $I_p \cdot K_N + V_{out}/R_L$		mA
$I_{out,SC}$	Short circuit output current		$\pm 20$		mA
$R_P$	Resistance / primary winding @ $T_A=25^\circ C$		1		m $\Omega$
$R_S$	Secondary coil resistance @ $T_A=85^\circ C$			67	$\Omega$
$R_{i,Ref}$	Internal resistance of Reference input		670		$\Omega$
$R_{i_j}(V_{out})$	Output resistance of $V_{out}$			1	$\Omega$
$R_L$	External recommended resistance of $V_{out}$	1			k $\Omega$
$C_L$	External recommended capacitance of $V_{out}$			500	pF
$\Delta X_{Ti} / \Delta T$	Temperature drift of X @ $T_A = -40 \dots +85^\circ C$			40	ppm/K
$\Delta V_0 = \Delta(V_{out} - V_{Ref})$	Sum of any offset drift including:		2	6	mV
$V_{0t}$	Longtermdrift of $V_0$		1		mV
$V_{0T}$	Temperature drift von $V_0$ @ $T_A = -40 \dots +85^\circ C$		1		mV
$V_{0H}$	Hysteresis of $V_{out}$ @ $I_p=0$ (after an overload of $10 \times I_{PN}$ )			1	mV
$\Delta V_0 / \Delta V_C$	Supply voltage rejection ratio			1	mV/V
$V_{oss}$	Offsetripple (with 1 MHz- filter first order)			35	mV
$V_{oss}$	Offsetripple (with 100 kHz- filter first order)		2	5	mV
$V_{oss}$	Offsetripple (with 20 kHz- filter first order)		0.6	1	mV
$C_k$	Maximum possible coupling capacity (primary – secondary)		5	10	pF
	Mechanical stress according to M3209/3			3	g
	Settings: 10 – 2000 Hz, 1 min/Octave, 2 hours				

**Inspection** (Measurement after temperature balance of the samples at room temperature; SC = significant characteristic)

$V_{out}(SC)$	(V) M3011/6:	Output voltage ( $I_p=40As$ , 40-80Hz)		$625 \pm 0.7\%$	mV
$V_{out}-V_{Ref}$	(V) M3226:	Offset voltage		$\pm 0.725$	mV
$V_d$	(V) M3014:	Test voltage, 1s pin 1 – 4 vs. pin 5 – 12		1.8	kV <sub>RMS</sub>
$V_e$	(AQL 1/S4)	Partial discharge voltage acc.M3024 with $V_{vor}$		1400 1750	V <sub>RMS</sub> V <sub>RMS</sub>

**Type Testing** (Pin 1 - 4 to Pin 5 - 12)

$V_W$	HV transient test acc. to M3064 (1.2 $\mu s$ / 50 $\mu s$ -wave form)			8	kV
$V_d$	Testing voltage acc. to M3014, 5s			3.6	kV
$V_e$	Partial discharge voltage acc. to M3024 with $V_{vor}$			1400 1750	V <sub>RMS</sub> V <sub>RMS</sub>

**Other Instructions**

- Operating temperature of the current sensor and the primary conductor must not exceed 105°C
- Current direction: A positive output voltage appears at point  $V_{out}$  vs.  $V_{Ref}$ , by primary current in direction of the arrow.
- Housing and bobbin material UL-listed: Flammability class 94V-0.
- Enclosures according to IEC529: IP50.
- Further standards: UL508 file E317483, category NMTR2 / NMTR8
- The color of the plastic material is not specified and the current sensor can be supplied in different colors (e.g. brown, black, white, natural). This has no effect on the specifications or UL approval.

**Hrsg.:** R&D-PD NPI D  
editor

**Bearb.:** DJ  
designer

**MC-PM:** Ga.  
check

**freig.:** SB  
released

**K-no.: 26078**
**50A Current Sensor for 5V Supply Voltage**

For electronic current measurement:  
DC, AC, pulsed, mixed ..., with a galvanic  
isolation between primary circuit  
(high power) and secondary circuit  
(electronic circuit)


**Date: 31.01.2022**
**Customer: Standard type**
**Customers Part no.:**
**Page 4 of 4**
**Explanation of several of the terms used in the tablets (in alphabetical order)**

**t<sub>r</sub>:** Response time (describe the dynamic performance for the specified measurement range), measured as delay time at  $I_P = 0.9 \cdot I_{PN}$  between a rectangular current and the output voltage  $V_{out}(I_P)$

**Δt (I<sub>Pmax</sub>):** Delay time (describe the dynamic performance for the rapid current pulse rate e.g short circuit current) measured between  $I_{Pmax}$  and the output voltage  $V_{out}(I_{Pmax})$  with a primary current rise of  $di_P/dt \geq 100 \text{ A}/\mu\text{s}$ .

**V<sub>0</sub>:** Offset voltage between  $V_{out}$  and the rated reference voltage of  $V_{ref} = 2.5V$ .  
 $V_0 = V_{out}(0) - 2.5V$

**U<sub>PD</sub>** Rated discharge voltage (recurring peak voltage separated by the insulation) proved with a sinusoidal voltage  $V_e$   
 $U_{PD} = \sqrt{2} \cdot V_e / 1.5$

**V<sub>vor</sub>** Defined voltage is the RMS value of a sinusoidal voltage with peak value of  $1.875 \cdot U_{PD}$  required for partial discharge test in IEC 61800-5-1

$$V_{vor} = 1.875 \cdot U_{PD} / \sqrt{2}$$

**V<sub>sys</sub>** System voltage RMS value of rated voltage according to IEC 61800-5-1

**V<sub>work</sub>** Working voltage voltage according to IEC 61800-5-1 which occurs by design in a circuit or across insulation

**V<sub>0H</sub>:** Zero variation of  $V_0$  after overloading with a DC of tenfold the rated value

**V<sub>0t</sub>:** Long term drift of  $V_0$  after 100 temperature cycles in the range -40 bis 85 °C.

**X:** Permissible measurement error in the final inspection at RT, defined by

$$X = 100 \cdot \left| \frac{V_{out}(I_{PN}) - V_{out}(0)}{0,625V} - 1 \right| \%$$

**X<sub>ges</sub>(I<sub>PN</sub>):** Permissible measurement error including any drifts over the temperature range by the current measurement  $I_{PN}$

$$X_{ges} = 100 \cdot \left| \frac{V_{out}(I_{PN}) - 2,5V}{0,625V} - 1 \right| \% \quad \text{or} \quad X_{ges} = 100 \cdot \left| \frac{V_{out}(I_{PN}) - V_{ref}}{0,625V} - 1 \right| \%$$

**ε<sub>L</sub>:** Linearity fault defined by 
$$\epsilon_L = 100 \cdot \left| \frac{I_P}{I_{PN}} - \frac{V_{out}(I_P) - V_{out}(0)}{V_{out}(I_{PN}) - V_{out}(0)} \right| \%$$

**Hrsg.: R&D-PD NPI D**  
editor

**Bearb: DJ**  
designer

**MC-PM: Ga.**  
check

**freig.: SB**  
released